

The HN41 Series is a straight-thru design with a Delrin seat, which provides bi-directional flow and the ability to "rod-out" the valve for cleaning.

These valves are specifically targeted for the oil and gas industry and are available only in 316 Stainless Steel per NACE MR-01-75.

Valves are rated at 6000 psig at 100°F (413,7 bar at 38°C).

The HN41 is a roddable valve.



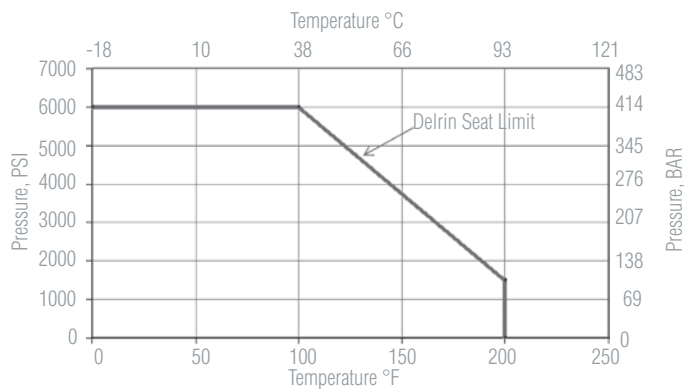
Features and Benefits

- Roddable design (Refer to HG47 series for information on Hex's roddable design).
- Rising Plug Design for better shut off with a full bore valve.
- Threads in the bonnet are above the packing.
- The HN41 has a larger handle and stem diameter than our competitors to better stand up in those tough applications.

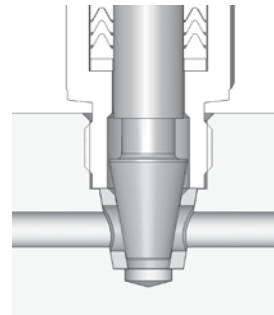
Flow Schematic

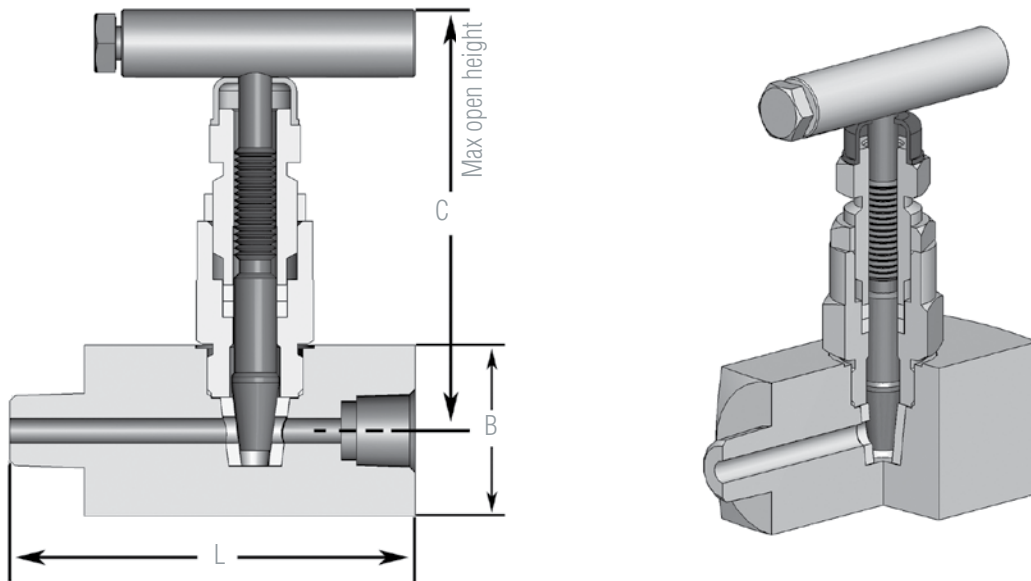


Pressure and Temperature Chart



Stem / Tip Configuration



Dimensions


Inlet	Outlet	B	L	C	Orifice	Weight Lbs
1/2" NPT (F)	1/2" NPT (F)	2.05	2.99	4.33	0.37	1.06
1/2" NPT (M)	1/2" NPT (F)	1.65	3.50	4.33	0.37	1.10

Metric

Inlet	Outlet	B	L	C	Orifice	Weight Kgs
DN15 NPT (F)	DN15 NPT (F)	52	76	110	9.50	0,5
DN15 NPT (M)	DN15 NPT (F)	42	89	110	9.50	0,5

How to Order

Model Number	Seat Configuration	Body Material	Connections (Bi-Directional)	Stem / Tip	Seat Material	Packing
HN41	2 = Soft Seat	D = 316 SS NACE	2F = 1/4" FNPT x 1/4" FNPT 2FM = 1/4" FNPT x 1/4" MNPT 24FM = 1/4" FNPT x 1/2" MNPT	2 = One Piece	C = Delrin	2 = Teflon
			4F = 1/2" FNPT x 1/2" FNPT 4FM = 1/2" FNPT x 1/2" MNPT			

Sample Ordering Schematic

HN41	2	D	2FM	2	C	2
------	---	---	-----	---	---	---