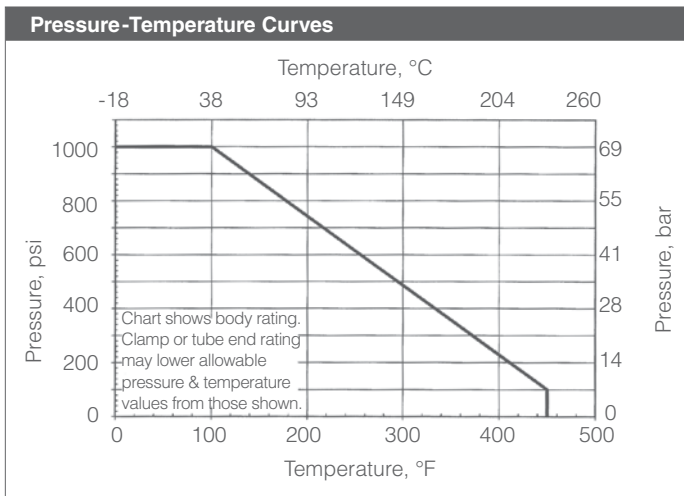



**Features**

- Investment cast body construction with ISO 5211 mounting pad
- Blow-out proof stem with adjustable live loaded packing
- Sanitary service construction features
  - Tri-clamp & tube weld ends
  - Simple in-line swing out maintenance and repair
  - FDA approved 100% virgin PTFE cavity filled seats & seals
  - FDA H1 approved lubricants for external hardware
  - With internal assembly lubricants
  - Internal surface finish to 25 Ra
  - No threads in packing chamber
  - No sharp internal fillets for smooth finish
  - Tube ID design for unobstructed flow & superior drainage



Technical Specifications		
Valve Size Inches	Operating Torque, in-lb	Flow Coefficient, Cv
1/2"	89	8
3/4"	142	30
1"	177	65
1-1/2"	310	190
2"	443	435
2-1/2"	752	720
3"	974	1120
4"	1195	2100

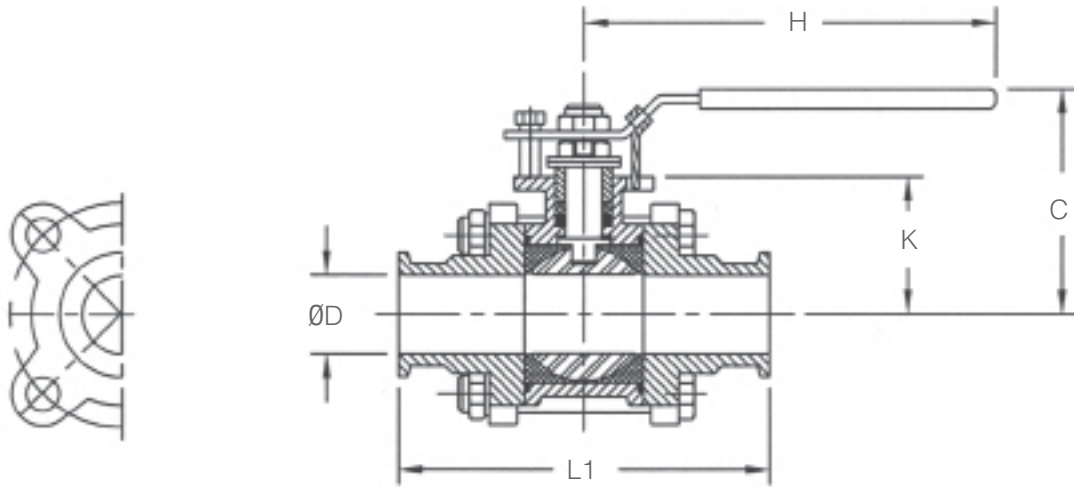
**KF8900F-XXX-S6 Series Full Port Valves**

Quick Spec	
Product Scope	
Size Range	1/2" - 4", Full Port
Body Type	3-pc, swing-out body Clamp Ends or Tube Ends
Pressure Rating	1000 psi WOG (69 bar)
Temperature Range / WSP	-4°F to 400°F / 150 psi Steam -20°C thru 204°C / 10,3 bar Steam
Body, Ball & Stem	Stainless Steel
Ball Seats / Cavity Filler	PTFE / PTFE
Stem Packing	Adjustable, Live Loaded PTFE
Body Seals, Thrust Washer	PTFE / PTFE
Lubricant, Internal	Without internal lubrication
Lubricant, External	Silicone free / FDA/USDA H1 thread lubricant
Operator / Mounting Pad	Manual Locking Lever / ISO 5211
Testing Standards	
Pressure Testing	API 598
Approvals	
DIN EN 12266-1, 2	
EN10204-3,1	

Materials of Construction	
Part	Stainless Steel Materials
Body	ASTM A351 CF8M
Cap	ASTM A351 CF8M
Ball	AISI 316
Seat	PTFE
Stem	AISI 316
Thrust Washer	PTFE
Stem Packing	
Bolt, Body	
Nut, Body	
Washer, Body	
Gland	
Lock Washer	
Stem Nut	
Locking Handle	
Disc Spring	
Spacer, Stop	AISI 304, FDA H1 approved hardware lubricants
Cap Screw, Stop	
Handle Cover	Vinyl
Seal, Body	PTFE
*Name Plate	SST

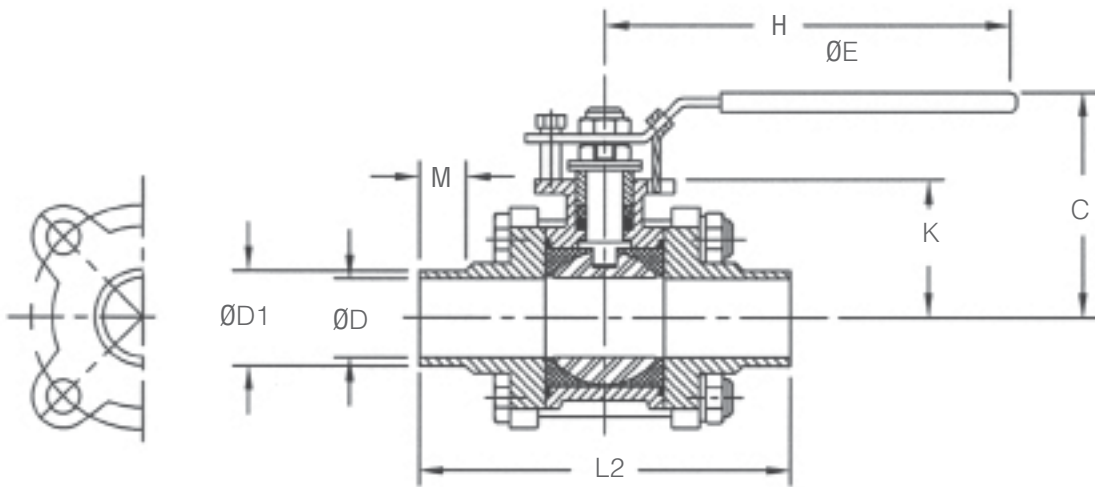
\* For clamp and tube end only

Technical Specifications, metric		
Valve Size NPS	Operating Torque, N-m	Flow Coefficient, Kv
DN15	10	6,9
DN20	16	26
DN25	20	56
DN40	35	169
DN50	50	374
DN65	85	619
DN80	110	963
DN100	135	1800



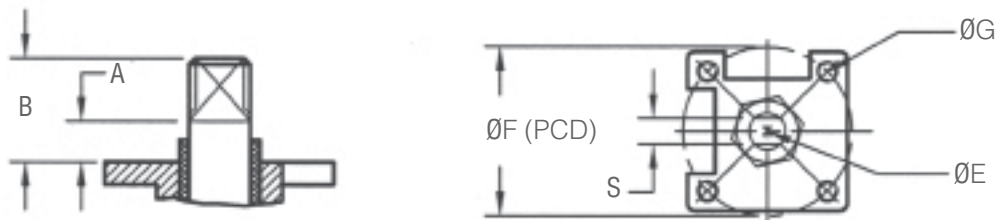
1/2" – 4" KF8900FTT-KE (clamp ends)

ART1059



1/2" – 4" KF8900FTT-TE (tube ends)

ART1060



1/2" – 4" KF8900FTT Top Mounting Dimensions

ART1061

Dimensions, Inches										
Valve Size	Clamp End & Tube End									
Inches	A	B	C	H	K	ØE	ØF	G	S Sq	ISO 5211
1/2"	0.28	0.57	2.6	5.2	1.18	0.315	1.65	M5	0.197	F01
3/4"	0.35	0.69	2.8	5.2	1.37	0.394	1.65	M5	0.276	F01
1"	0.39	0.69	3.1	6.5	1.48	0.394	1.97	M6	0.276	F05
1-1/2"	0.51	1.00	4.0	7.9	2.10	0.472	1.97	M6	0.354	F05
2"	0.51	0.96	4.3	8.4	2.43	0.472	2.76	M8	0.354	F07
2-1/2"	0.75	1.44	6.1	10.9	3.14	0.787	2.76	M8	0.472	F07
3"	0.75	1.46	6.4	14.6	3.41	0.787	4.02	M10	0.472	F10
4"	0.84	1.61	7.6	14.7	4.54	0.945	4.02	M10	0.630	F10

Dimensions, mm										
Valve Size	Clamp End & Tube End									
NPS	A	B	C	H	K	ØE	ØF	G	S Sq	ISO 5211
DN15	7,1	14,5	66,0	132	30,2	8,0	41,9	M5	5,0	F01
DN20	8,9	17,5	71,1	132	34,8	10,0	41,9	M5	7,0	F01
DN25	9,9	17,5	78,7	165	37,6	10,0	50,0	M6	7,0	F05
DN40	13,0	25,4	102	201	53,3	12,0	50,0	M6	9,0	F05
DN50	13,0	25,4	109	213	61,7	12,0	70,0	M8	9,0	F07
DN65	19,1	36,6	155	277	79,8	20,0	70,0	M8	12,0	F07
DN80	19,1	37,1	163	371	86,6	20,0	102	M10	12,0	F10
DN100	21,3	40,9	193	373	115	24,0	102	M10	16,0	F10

Dimensions, Inches				
Valve Size	Tube End			
Inches	D	D1	M	L2
1/2"	0.370	0.504	1.57	6.6
3/4"	0.618	0.750	1.57	6.7
1"	0.870	1.00	1.57	7.1
1-1/2"	1.37	1.50	1.57	8.0
2"	1.87	2.00	1.57	8.5
2-1/2"	2.37	2.50	1.57	10.0
3"	2.87	3.00	1.57	10.6
4"	3.84	4.00	2.09	12.9

Dimensions, Inches		
Valve Size	Clamp End	
Inches	D	L1
1/2"	0.37	3.5
3/4"	0.62	4.0
1"	0.87	4.5
1-1/2"	1.37	5.5
2"	1.87	6.1
2-1/2"	2.37	7.8
3"	2.87	9.0
4"	3.83	9.5

Dimensions, mm				
Valve Size	Tube End			
DNS	D	D1	M	L2
DN15	9,4	12,8	39,9	168
DN20	15,7	19,1	39,9	170
DN25	22,1	25,4	39,9	180
DN40	34,7	38,1	39,9	203
DN50	47,5	50,8	39,9	216
DN65	60,3	63,6	39,9	254
DN80	73,0	76,3	39,9	269
DN100	97,4	102	53,1	328

Dimensions, mm		
Valve Size	Clamp End	
DNS	D	L1
DN15	9,4	88,9
DN20	15,7	102
DN25	22,1	114
DN40	34,8	140
DN50	47,5	155
DN65	60,2	198
DN80	72,9	229
DN100	97,3	241

Valve Name Plating Rating			
Valve Size	Body Pressure Rating, PSI	Valve Name Plate Pressure Rating, PSI	
Inches		Clamp End <sup>1</sup>	Tube End <sup>2</sup>
1/2"	1000	500	1000
3/4"	1000	500	1000
1"	1000	500	1000
1-1/2"	1000	500	1000
2"	1000	450	950
2-1/2"	1000	400	500
3"	1000	350	625
4"	1000	300	600

Valve Name Plating Rating			
Valve Size	Body Pressure Rating, BAR	Valve Name Plate Pressure Rating, BAR	
NPS		Clamp End <sup>1</sup>	Tube End <sup>2</sup>
DN15	68,9	34,5	68,9
DN20	68,9	34,5	68,9
DN25	68,9	34,5	68,9
DN40	68,9	34,5	68,9
DN50	68,9	31,0	65,5
DN65	68,9	27,6	34,5
DN80	68,9	24,1	43,1
DN100	68,9	20,7	41,4

<sup>1</sup> Clamp end name plate pressure rating is based on Tri-Clover A13MHM Tri-Clamp (hinged 2-segment clamp with wing nut)

<sup>2</sup> Tube end name plate pressure rating is the lesser of the body rating or the tube end rating calculated with ANSI B31.3 using Sy=20ksi, Y=0.4 and E=0.8

How to Order						
Valve Series	Port Design	Size	Body Material	Packing/Seat	End Connections	Handle
KF8900	F = Full Port	05A = 1/2"	S6 = CF8M	A = PTFE/PTFE	K = Clamp (std) J = Tube (Butt Weld)	HL = Lever (std)
		07A = 3/4"				NN = None
		10A = 1"				
		12A = 1-1/4"				
		15A = 1-1/2"				
		20A = 2"				
		25A = 2-1/2"				
		30A = 3"				
		40A = 4"				

*Sample Ordering Schematic*

KF8900	F	10A	S6	A	K	HL
--------	---	-----	----	---	---	----

Series KF8900 valves are suitable for a wide range of automation and accessories, including UT-SR spring return pneumatic actuators, UT-DA double acting pneumatic actuators, ER electric actuators, etc. Available accessories include solenoid valves, position indicators/limit switches, valve positioners, etc.

## Marwin Valve

A Division of Richards Industries, 3170 Wasson Road, Cincinnati, OH 45209  
 toll free. 800.543.7311, local. 513.533.5600, fax. 513.871.0105  
[www.marwinvalve.com](http://www.marwinvalve.com)